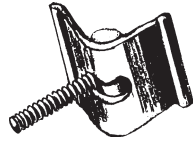


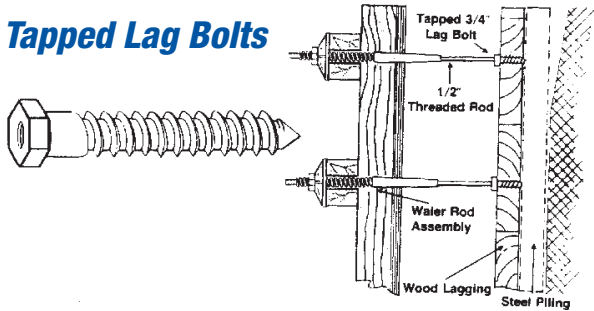
Welded Angle Brackets

- Coil Rod Not Included



Code	Size	Weight
WAB012	1/2" Coil	3.2/ea
WAB058	5/8" Coil	3.2/ea
WAB034	3/4" Coil	3.2/ea
WAB100	1" Coil	

Tapped Lag Bolts



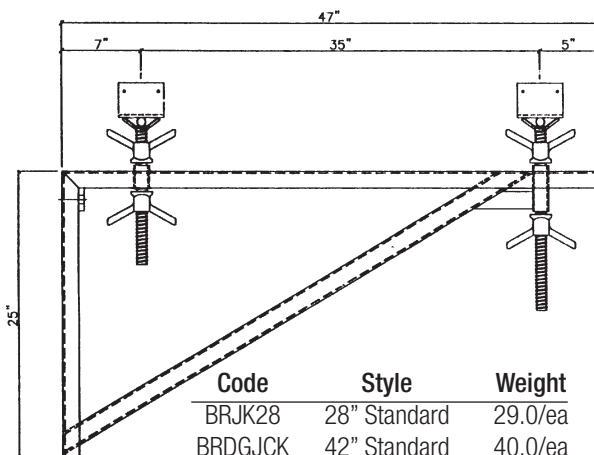
Timber Size	*Safe Working Load 2:1	Pilot Hole Size
2" x 10"	1575 lbs	9/16"
3-3/4" or 4" x 12" Treated	3500 lbs	9/16"

*Quality of lumber will affect strength

- Simplifies Foundation Wall Forming
- Speeds Concrete Pours
- Reduces External Bracing

Code	Size	Weight	Packaged
TPLGNC	3/4" x 5" N.C.	.67/ea	Each
TPLGCO	3/4" x 5" Coil	.67/ea	Each

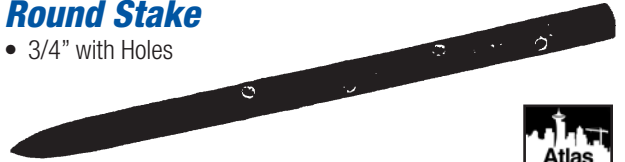
42" Bridge Overhang Bracket



Code	Style	Weight
BRJK28	28" Standard	29.0/ea
BRDGJCK	42" Standard	40.0/ea

Round Stake

- 3/4" with Holes



Code	Size	Weight	Packaged
STA012	3/4" x 12"	1.5/ea	10/Box 1000/Pallet
STA018	3/4" x 18"	2.25/ea	10/Box 1000/Pallet
STA024	3/4" x 24"	3.0/ea	10/Box 1000/Pallet
STA030	3/4" x 30"	3.75/ea	10/Box 600/Pallet
STA036	3/4" x 36"	4.5/ea	10/Box 600/Pallet

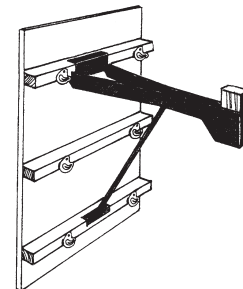
Screed Hooks

- 2" x 4" Single
- 1/2" x 2" Single



Code	Type	Weight	Packaged
SCH24R	2x4 Rnd. Hole	.54/ea	100/Box
SCH24S	2x4 Sq. Hole	.54/ea	100/Box
SCH122	1/2x2 Rnd. Hole	.54/ea	100/Box

Jahn Scaffold Jack



The Jahn Scaffold Jack provides the framework for 2 x 10 planks, to make a convenient working platform. The built-in guard rail receptacle makes it easy to install a safe and economical safety rail. SPACE AT 8'-0" MAX. CENTERS



Don De Cristo
Concrete Accessories, Inc.